

210-430-190 Roto Boss 580 (1990)
Drive Assembly

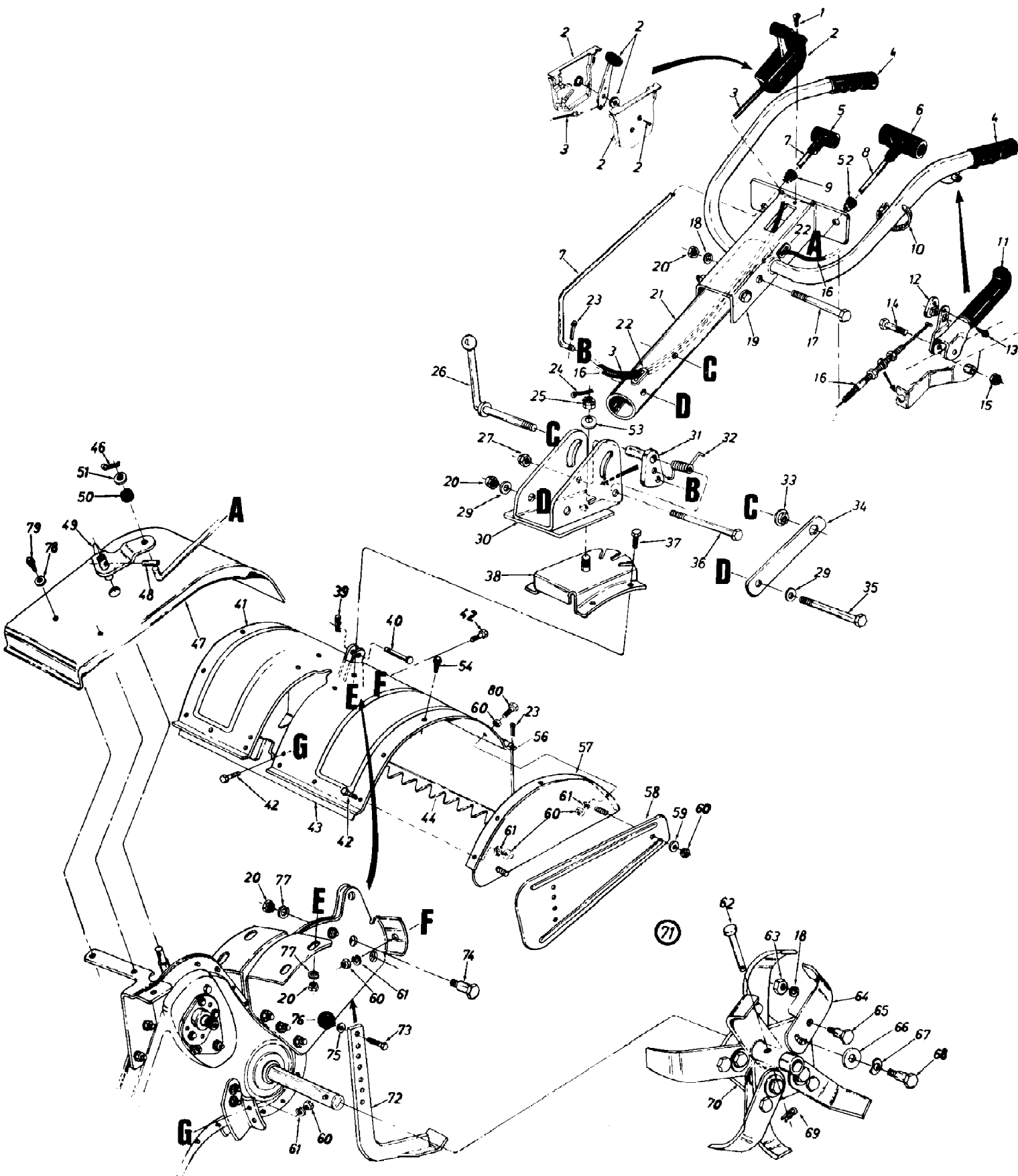
Page 2 of 9

| Ref # | Part Number | Qty | S/P/F | Description |
|-------|-------------|-----|-------|--|
| 1 | | 1 | | Engine |
| 2 | 784-0199A | 1 | | Belt Cover Mounting Brkt. |
| 3 | 710-0253 | 1 | S | Hex Bolt 3/8-16 x 1.00" Lg.t |
| 4 | 784-0178 | 1 | S | Tine Shield Mtg. Brkt.-R.H. |
| 5 | 784-0177 | 1 | | Tine Shield Mtg. Brkt.-L.H. |
| 6 | 736-0169 | 1 | S | L-Wash. 3/8" I.D. |
| 7 | 712-0798 | 1 | /P | Hex Nut 3/8-16 Thd. |
| 8 | 736-0119 | 1 | S | L-Wash. 5/16" I.D. |
| 9 | 712-0267 | 1 | S | Hex Nut 5/16-18" Thd. |
| 10 | 734-0255 | 1 | S | Air Valve |
| 11 | 710-0237 | 1 | /P | Hex Bolt 5/16-24 x .62" Lg. |
| 12 | 736-0242 | 1 | /P | Bell-Wash. .345" I.D. x .88" |
| 13 | 734-1376 | 1 | | Wheel Rim Ass'y. Only |
| 14 | 734-1377 | 1 | | L.H. Wheel Ass'y. Comp. |
| | 734-1378 | 1 | | R.H. Wheel Ass'y. Comp. |
| | 734-1154 | 1 | S | Tire Only 13 x 5.0 |
| 15 | 750-0688 | 1 | | Spacer 3/8" I.D. x 8.38" Lg. |
| 16 | 784-0150 | 1 | S | Transmission Comp. |
| 17 | 712-0267 | 1 | S | Hex Nut 5/16-18 Thd. |
| 19 | 710-0118 | 1 | S | Hex Bolt 5/16-18 x .75" Lg. |
| 21 | 736-0217 | 1 | S | L-Wash. 3/8" I.D.-H.D. |
| 22 | 712-0206 | 1 | S | Hex Nut 1/2-13 Thd. |
| 23 | 736-0921 | 1 | S | L-Wash. 1/2" I.D. |
| 24 | 784-0155 | 1 | | Engine Mounting Rail-R.H. |
| 25 | 723-0381 | 1 | | #40 Counter Weight |
| 26 | 736-0326 | 1 | S | FI-Wash. .510" I.D. x 1.0" |
| 27 | 710-0382 | 1 | | Hex Bolt 1/2-13 x 5.00" Lg. |
| 30 | 784-0154 | 1 | | Engine Mounting Rail-L.H. |
| 31 | 710-0216 | 1 | /P | Hex Bolt 3/8-16 x .75" Lg. |
| 32 | 710-0442 | 1 | S | Hex Bolt 5/16-18 x 1.50" |
| 33 | 710-0974 | 1 | /P | Hex Bolt 5/16-18 x 4.75" Lg.-Gr. 2 |
| 34 | 710-0604 | 1 | S | Hex Wash. TT-Tap Scr. 5/16-18 x .62" Lg. |
| 35 | 784-0203 | 1 | | Bracket Clutch Cable |
| 36 | 746-0612 | 1 | S | Clutch Control Cable 53" Lg. |
| 37 | 784-0175 | 1 | | Idler Bracket Ass'y. |
| 38 | 712-0158 | 1 | S | Hex Cent. L-Nut 5/16-18 Thd. |
| 39 | 738-0681 | 1 | | Shld. Bolt .500" Dia. x 2.27" |
| 40 | 754-0325 | 1 | S | "V"-Belt |
| 41 | 756-0472 | 1 | | "V"-Pulley Split 518" I.D. |
| 42 | 736-0176 | 1 | S | FI-Wash. 1/4" I.D. x 93" O.D. |
| 43 | 710-0412 | 1 | /P | Hex Bolt 1/4-28 x .75" Lg. |
| 44 | 710-0599 | 1 | /P | Hex Wash. Hd. S-Tap Scr. 1/4-20 x .50" Lg. |
| 45 | 736-0463 | 1 | S | FI-Wash. .281" I.D. x .625" |
| 46 | 712-0262 | 1 | /P | Hex Cent. L-Nut 3/8-24 Thd. |
| 47 | 736-0123 | 1 | S | FI-Wash. 5/16" I.D. |
| 48 | 712-0287 | 1 | S | Hex Nut 1/4-20 Thd.' |
| 49 | 736-0329 | 1 | S | L-Wash. 1/4" I.D.t |
| 50 | 784-0158 | 1 | S | Belt Cover |
| 51 | 756-0405 | 1 | /P | FI-Idler w/Flanges 3.75" O.D. |
| 52 | 710-0409 | 1 | /P | Hex Bolt 5/16-24 x 1.75" |
| 53 | 710-0152 | 1 | S | Hex Bolt 3/8-24 x 1.00" Lg. |
| 54 | 736-0258 | 1 | /P | FI-Wash. 3/8" I.D. x 1.00" |
| 55 | 750-0345 | 1 | | FI-Wash. 3/8" I.D. x .99" O.D. x .99" O.D. |

210-430-190 Roto Boss 580 (1990)
Drive Assembly

Page 3 of 9

| Ref # | Part Number | Qty | S/P/F | Description |
|-------|-------------|-----|-------|-----------------------------|
| 56 | 748-0282 | 1 | | Engine Pulley |
| 57 | 712-0123 | 1 | /P | Hex Nut 5/16-24 Thd. |
| 58 | 710-0237 | 1 | /P | Hex Bolt 5/16-24 x .62" Lp |
| 59 | 784-0197 | 1 | | Belt Keeper Ass'y. |
| 60 | 751-0360A | 1 | S | Casing Clamp |
| 61 | 710-0899A | 1 | /P | Hex Sems Scr. #10-32 x .62n |

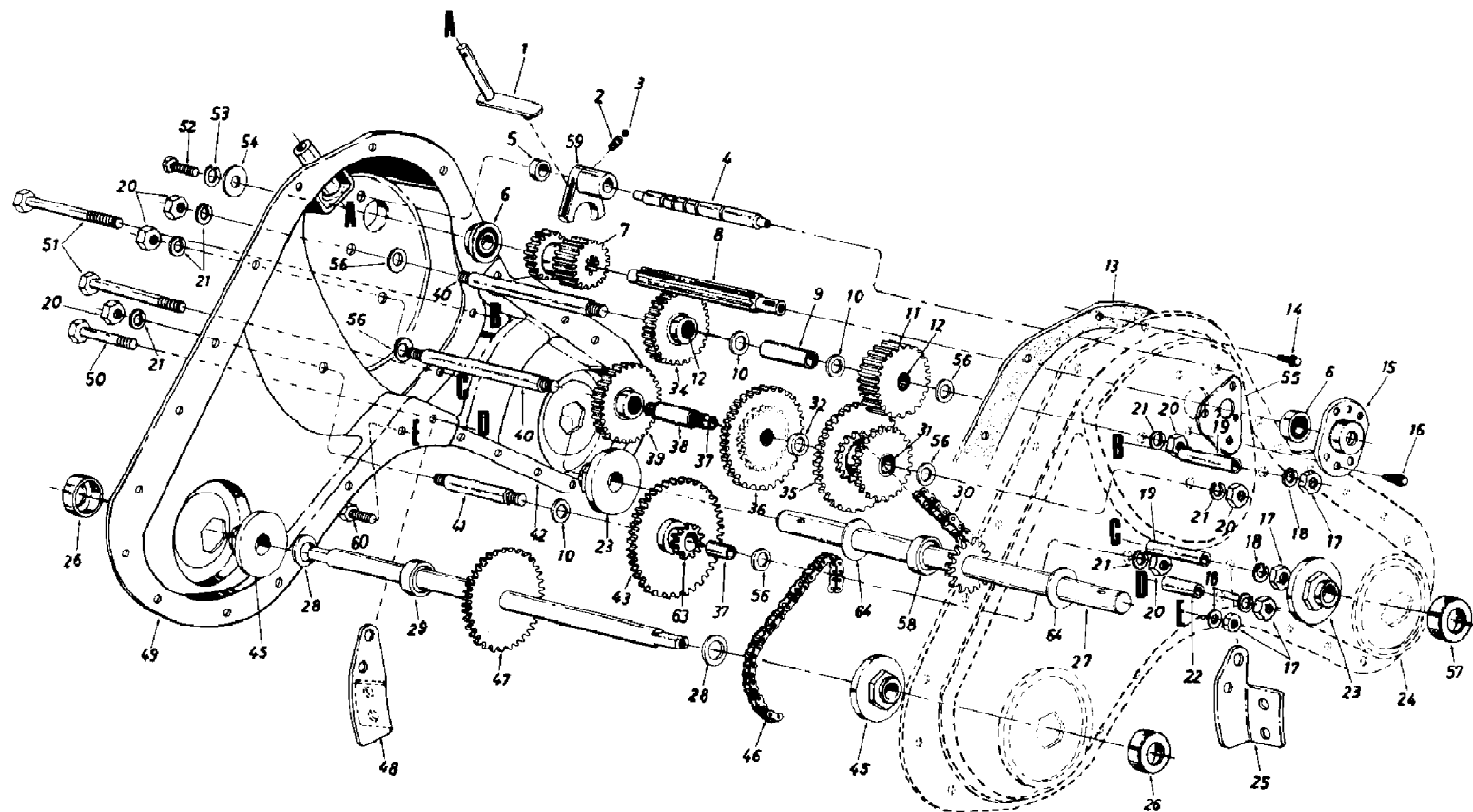


| Ref # | Part Number | Qty | S/P/F | Description |
|-------|-------------|-----|-------|---|
| 1 | 710-0779A | 1 | /P | Truss Mach. AB-Tap. Scr. #10 x .50' Lg. |
| 2 | 831-0823A | 1 | /P | Throttle Control Box Ass'y. |
| 3 | 746-0513 | 1 | S | Throttle Control Wire |
| 4 | 720-0180 | 1 | S | Handle Grip |
| 5 | 720-0210A | 1 | /P | Small "T" Knob |
| 6 | 720-0209 | 1 | | Large "T" Knob |
| 7 | 747-0666 | 1 | | Clutch Rod |
| 8 | 747-0664 | 1 | | Control Rod 37" Lg. |
| 9 | 735-0228 | 1 | | Snap On Bushing 3/8" Dia. |
| 10 | 725-0157 | 1 | /P | Cable Tie-Self Clinching |
| 11 | 784-0202B | 1 | S | Clutch Grip Ass'y.-L.H. |
| 12 | 746-0605 | 1 | S | Barrel Cable Hold Down |
| 13 | 710-0919 | 1 | /P | Hex B-Tap Scr. #10 x .44" Lg. |
| 14 | 710-0427 | 1 | S | Hex Bolt 3/8"-16 x 2.0" Lg. |
| 15 | 712-0266 | 1 | S | Hex Cent. L-Nut 3/8-16 Thd. |
| 16 | 746-0612 | 1 | S | Clutch Control Cable 53" Lg. |
| 17 | 710-0194 | 1 | /P | Hex Bolt 3/8-16 x 3.00" Lg. |
| 18 | 736-0217 | 1 | S | L-Wash. 3/8" I.D.-H.D. |
| 19 | 784-0185A | 1 | | Handle Ass'y. |
| 20 | 712-0798 | 1 | /P | Hex Nut 3/8-16 Thd. |
| 21 | 784-0189 | 1 | | Handle Tubing Ass'y. |
| 22 | 735-0226 | 1 | | Rubber Grommet .66" I.D. |
| 23 | 714-0507 | 1 | S | Cotter Pin 3/32" Dia. x .75" Lg. |
| 24 | 714-3021 | 1 | S | Cotter Pin 3/32" Dia. x 1.25" Lg. |
| 25 | 712-0386A | 1 | /P | Hex Slotted Nut 5/8-18 Thd. |
| 26 | 784-0190 | 1 | | Handle Adj. Crank |
| 27 | 712-0375 | 1 | /P | Hex Cent. L-Nut 3/8-16 Thd. |
| 29 | 736-0105 | 1 | /P | Bell-Wash. .4" I.D. x .87" O.D. |
| 30 | 784-0182 | 1 | S | Handle Pivot Bracket |
| 31 | 784-0183 | 1 | | Positioner Crank Ass'y. |
| 32 | 732-0493 | 1 | | Spring Handle Adj. (Torsion) |
| 33 | 712-0379 | 1 | /P | Hex Flange Nut 3/8-24 Thd. |
| 34 | 784-0191 | 1 | | Bracket Hex Nut Retainer |
| 35 | 710-0644 | 1 | | Hex Bolt 3/8-16 x 3.25" Lg. |
| 36 | 710-0521 | 1 | /P | Hex Bolt 3/8-16 x 3.00" Lg.-Gr. 8 |
| 37 | 710-0216 | 1 | /P | Hex Bolt 3/8-16 x .75" Lg. |
| 38 | 784-0181A | 1 | S | Handle Positioner Brkt. Ass'y. |
| 39 | 714-0145 | 1 | S | Intern. Cotter Pin |
| 40 | 711-0415 | 1 | S | Clevis Pin .375" Dia. |
| 41 | 784-0156 | 1 | | 483Tine Shield 18n |
| 42 | 710-0118 | 1 | S | Hex Bolt 5/16-18 x .75" Lg. |
| 43 | 784-0210 | 1 | | Bracket Reinforcement-18n |
| 44 | 14979 | 1 | S | 483Tine Shield Hinge Flap |
| 46 | 714-0104 | 1 | S | Intern. Cotter Pin 5/16" Dia. |
| 47 | 784-0208A | 1 | S | Shift Cover |
| 48 | 715-0120 | 1 | S | Spring Roll Pin 3/16" Dia. |
| 49 | 784-0173 | 1 | | Shifting Crank Ass'y. |
| 50 | 735-0127 | 1 | /P | Rubber Washer .33" I.D. |
| 51 | 736-0133 | 1 | S | FI-Wash. .4" I.D. x 1.25" O.D. |
| 52 | 735-0227 | 1 | | Snap On Bushing t/2" Dia. |
| 53 | 736-0317 | 1 | /P | Bell-Wash. .63" I.D. x 1.25n |
| 54 | 710-0607 | 1 | /P | Hex Wash. Tap Scr. |
| 56 | 747-0432 | | | |

210-430-190 Roto Boss 580 (1990)
Frame Assembly

Page 6 of 9

| Ref # | Part Number | Qty | S/P/F | Description |
|-------|-------------|-----|-------|---|
| 57 | 784-0179 | 1 | S | 483End Cover Ass'y. |
| 58 | 15390 | 1 | S | 483Side Shield |
| 59 | 736-0242 | 1 | /P | Bell-Wash. .345" I.D. x .88n |
| 60 | 712-0267 | 1 | S | Hex Nut 5/16-18 Thd. |
| 61 | 736-0119 | 1 | S | L-Wash. 5/16" I.D. |
| 62 | 711-0415 | 1 | S | Clevis Pin .375" Dia. |
| 63 | 712-0241 | 1 | /P | Hex Nut 3/8-24 Thd. |
| 64 | 742-0305 | 1 | S | 13" Dia. Articulating Tine |
| 65 | 738-0689 | 1 | S | Shld. Bolt 1/2" Dia. x .175 |
| 66 | 736-0208 | 1 | S | FI-Wash. .51" I.D. x 1 .50" |
| 67 | 736-0255 | 1 | S | Bell-Wash. .515" I.D. x 1.14" |
| 68 | 738-0688 | 1 | S | Shld. Bolt /2" Dia. x .32t |
| 69 | 714-0149B | 1 | S | Intern. Cotter Pin |
| 70 | 784-0160 | 1 | S | Tine Adapter Ass'y. 18" |
| 71 | 784-0205 | 1 | S | Tine Ass'y. Comp. 18" |
| 72 | 14992 | 1 | S | Depth Bar Ass'y. |
| 73 | 710-0216 | 1 | /P | Hex Bolt 3/8-16 x .75" Lg. |
| 74 | 738-0148 | 1 | S | Shld. Bolt 1/2" I.D. x .62" Lg. |
| 75 | 736-0117 | 1 | S | FI-Wash. 818" I.D. x 5/8" O.D. |
| 76 | 720-0165 | 1 | S | Ball Knob |
| 77 | 736-0169 | 1 | S | L-Wash. 818" I.D. |
| 78 | 736-0463 | 1 | S | FI-Wash. .281" I.D. x .62" |
| 79 | 710-0599 | 1 | /P | Hex Wash. Self-Tap Scr. 1/4-20 x .50" Lg. |
| 80 | 710-0528 | 1 | /P | Hex Bolt 5/16-18 x 11/4" Lg. |



| Ref # | Part Number | Qty | S/P/F | Description |
|-------|-------------|-----|-------|---|
| 1 | 784-0171A | 1 | | Shifting Bracket Ass'y. |
| 2 | 732-0496 | 1 | S | Compression Spring .50" Lg. |
| 3 | 741-0862 | 1 | /P | Ball Detent .250" Dia. |
| 4 | 738-0645 | 1 | | Detent Shaft 1/2" Dia. |
| 5 | 750-0664 | 1 | | Spacer .505" I.D. x .88" O.D. |
| 6 | 741-0155 | 1 | S | Ball Brg. .62" I.D. x 1.38" |
| 7 | 717-0851 | 1 | S | Spur Gear 16T (Input) |
| 8 | 717-0852 | 1 | | Input Spline Shaft 7/8n |
| 9 | 750-0651 | 1 | | Spacer .657" I.D. x 2.85" Lg. |
| 10 | 736-0187 | 1 | /P | FI-Wash. .640" I.D. x 1.24" |
| 11 | 717-0857 | 1 | | Spur Gear 30T 7/8" I.D. |
| 12 | 741-0478 | 1 | S | Needle Bearing 5/8" I.D. |
| 13 | 721-0211 | 1 | S | Gasket-Trans. Hsg. |
| 14 | 710-0599 | 1 | /P | Hex Wash. S-Tap Scr. 1/4-20 x 50" Lg |
| 15 | 784-0211 | 1 | | 1-3/8" Dia. Bearing Housing |
| 16 | 710-0642 | 1 | /P | Hex TT-Tap Scr. 1/4-20 x .75" |
| 17 | 712-0267 | 1 | S | Hex Nut 5/16-18 Thd. |
| 18 | 736-0119 | 1 | S | L-Wash. 5/16" I.D. |
| 19 | 750-0662 | 1 | | Spacer 1.56" Lg. |
| 20 | 712-0378 | 1 | /P | Hex Nut 7/16-20 Thd. |
| 21 | 736-0407 | 1 | | Bell-Wash. .45" I.D. x 1.0" |
| 22 | 750-0661 | 1 | | Spacer 1.015" Lg. |
| 23 | 741-0420 | 1 | S | Tine Shaft Brg. 1.002 x 2.50 |
| 24 | 784-0214 | 1 | | Trans. Housing Ass'y.-L.H. |
| 25 | 784-0193 | 1 | | Bracket Gear Case-L.H. |
| 26 | 784-0166 | 1 | S | Dust Cover Ass'y. .75" Shaft |
| 27 | 784-0168 | 1 | S | Tine Shaft Ass'y. 1" O.D. |
| 28 | 736-0403 | 1 | S | FI-Wash. .75" I.D. x 1.5" O.D. |
| 29 | 750-0671 | 1 | S | Spacer .75" I.D. x .50" Lg. |
| 30 | 713-0226 | 1 | S | Chain #50 5/8 Pitch x 52 Links-Endless |
| 31 | 741-0488 | 1 | S | Needle Bearing 5/8" I.D. |
| 32 | 736-0402 | 1 | | FI-Wash. 5/8" I.D. |
| 34 | 717-0854 | 1 | | Spur Gear 30T 12/16" I.D. |
| 35 | 717-0874 | 1 | S | 30/44T Gear Ass'y. Comp. |
| 36 | 717-0863 | 1 | | Spur Gear 44T |
| 37 | 741-0181 | 1 | S | Sleeve Bearing |
| 38 | 717-0835 | 1 | | Gear Hub 3/4" I.D. x 3" Lg. |
| 39 | 717-0855 | 1 | | Spur Gear 30T 1.0" I.D. x 1/2 W |
| 40 | 738-0647 | 1 | | Jack Shan 5/8" Dia. x 5" |
| 41 | 738-0648 | 1 | | Jack Shaft 5/8" Dia. x 2.38" |
| 42 | 784-0215 | 1 | S | Trans. Housing Ass'y.-R.H. |
| 43 | 717-0858 | 1 | | Spur Gear 55T |
| 45 | 741-0421 | 1 | | Wheel Brg. .752" X 2.5 |
| 46 | 713-0367 | 1 | S | #420 Chain 1/2 Pitch x 50 Links-Endless |
| 47 | 784-0170 | 1 | | Wheel Shaft Ass'y. 15.6" |
| 48 | 784-0192 | 1 | S | Bracket Gear Case-R.H. |
| 49 | 784-0195 | 1 | | R.H. Housing Ass'y. |
| 50 | 710-0116 | 1 | S | Hex Bolt 5/16-18 x 2 |
| 51 | 710-0378 | 1 | /P | Hex Bolt 5/16-18 x 2.5" |
| 52 | 710-0513 | 1 | | Hex Bolt 1/4-20 x .62" Lg. |
| 53 | 736-0169 | 1 | S | L-Wash. 3/8" I.D. |
| 54 | 736-0176 | 1 | S | FI-Wash. 1/4" I.D. x .93" O.D. |
| 55 | 784-0207 | | | Shifting Bracket |

210-430-190 Roto Boss 580 (1990)
Transmission

Page 9 of 9

| Ref # | Part Number | Qty | S/P/F | Description |
|-------|-------------|-----|-------|--|
| 56 | 736-0406 | 1 | S | Fl-Wash. 7/16" I.D. x 1-3/8" |
| 57 | 784-0167 | 1 | S | Dust Cover Ass'y. 1" Shan |
| 58 | 750-0570 | 1 | S | Spacer 1" I.D. x 2" O.D. |
| 59 | 717-0853 | 1 | S | Shifting Fork |
| 60 | 710-0118 | 1 | S | Hex Bolt 5/16-18 x .75" Lg. |
| 63 | 784-0162 | 1 | S | 10T Sprocket Ass'y. |
| 64 | 736-0163 | 1 | S | Thrust Wash. 1.03" I.D. x 1.52" O.D. |
| | 737-0221 | 1 | | 30 OZ. Tube Benalene #372 Grease (27 OZ. Req'd.) |